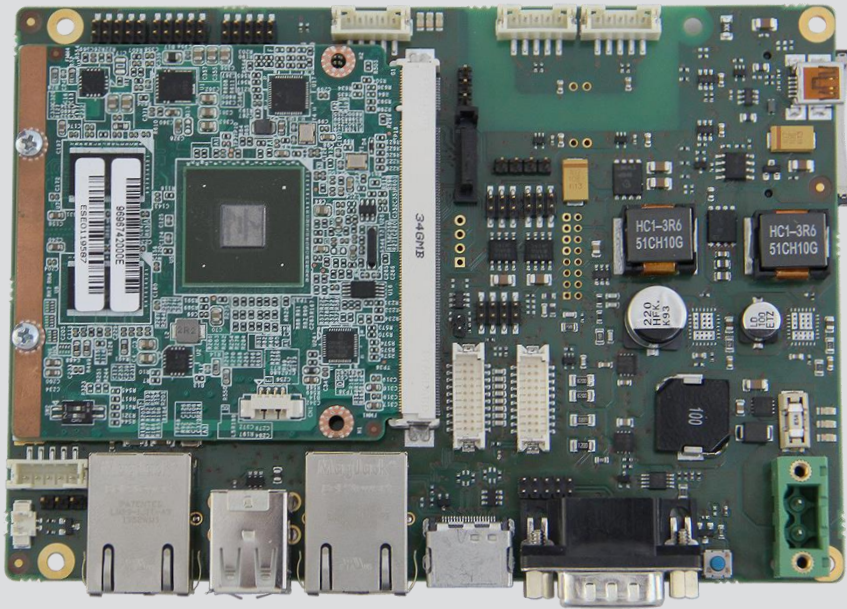


# EZ-ROJ-2

# ADVANTECH

## Qseven Carrier Board



innovation through creativity

**EZ-ROJ-2** is an Advantech/Roj 3.5" SBC carrier board powered by an Advantech module ROM-7420 based on a Freescale ARMCortex-A9 i.MX6 dual-core high performance processor, which provides sufficient power for Full HD video encoding/decoding, and also supports two Gigabit Ethernet for networking. EZ-ROJ-2 also supports miniPCIe card slot for WiFi and 3G module.

ROJ will provide a BSP based on Linux kernel version 3.0.35 (YOCTO environment under Linux Ubuntu 14.04 virtual machine disk image "ready to use" available. It includes recipes for GUI Library QT™ 5.x.v and more).

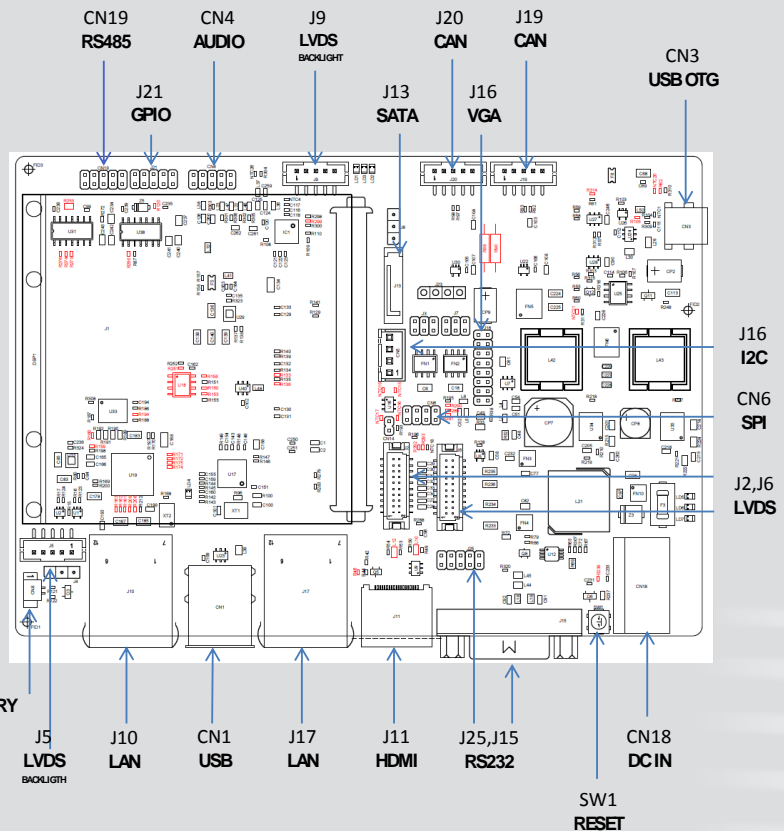


# ROJ®

## SPECIFICATIONS

<b>FORM FACTOR</b>	3.5" 146 x 102 mm
<b>SOM INTERFACE</b>	Qseven ROM-7420 ADVANTECH
<b>GRAPHICS</b>	LVDS 2 x 24-bit LVDS HDMI 1 VGA 1 x pin header
<b>ETHERNET</b>	Ethernet 2 x GBE
<b>I/O</b>	SATA 1 x, SATA Power pin header USB 2 x, USB 2.0 Host 1 x USB 2.0 OTG Audio Line-in, Speaker-out, Mic-in 1 x RS232 2 wire pin header Serial Port 2x RS485 pin header 1 x 2 wire DB9 connector SPI 1 x CAN 2 x GPIO 8-pin 3.3V TTL Level GPIOs pin header I2C 1 x Button reset
<b>EXPANSION</b>	Mini PCIe Only USB signal Expansion SD Socket 1 x SD slot
<b>POWER</b>	Power Supply Voltage dc 12V ( +/- 10%)

On rear side:  
SD CARD SLOT  
PCIe mini CONNECTOR  
JTAG  
HEADPHONE



**ROJ srl**  
Via Vercellone 11 13900 Biella ITALY  
Tel: (+39) 0158480111 Fax: (+39) 015 405815  
E-mail: comm@roj.com www.roj.com